

ERIS REFLECTO 20W

ERIS REFLECTO ROUND COB DOWNLIGHT

Indoor Luminaire

Product Code:

LERS04R020XC / LERS04R020XN / LERS04R020XW
20W - 1800lm - 6500K - CRI>90 Ra - Beam Angle 52°



Technical Specifications

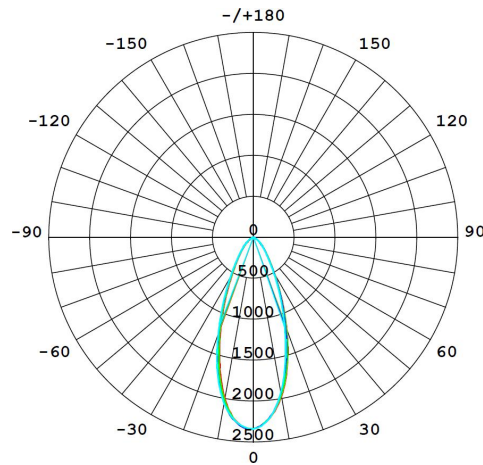
Operating Temperature	-10°C to 40°C
Rated Input Voltage & Frequency	230 VAC, 50Hz
Rated Input Wattage	20W ± 10%
Rated Input Current	0.093 Amp (Nominal)
Power Factor	≥0.90
THD	<20%
Rated Luminous Flux	1800 lm / 1700 lm / 1600 lm (tolerance as per BIS)
Rated Luminaire Efficacy	90 lm/W / 85 lm/W / 80 lm/W (tolerance as per BIS)
Correlated Color Temperature (CCT)	6500 K / 4000 K / 3000 K (tolerance as per ANSI)
Color Rendering Index (CRI)	>90 Ra
Beam Angle	52°
Driver Efficiency	≥85%
LED Life Span	>50000 Hrs (Ta=25°C @L70)
Housing	Die Cast Aluminium with White Powder Coating
Lens / Reflector	Anodized Reflector
Mounting	Recess

Protections

Over Voltage Protection	Withstand upto 440V/AC for 4 Hrs.
Surge Protection	±4.0KV
Protection Class	Class II
Ingress Protection (IP Rating)	IP20
Impact Protection (IK Rating)	NA
Short Circuit Protection	Provided
Open Circuit Protection (No Load)	Provided
Reverse Polarity Protection	Provided

All technical data is subject to industry-standard tolerances.

Light Distribution

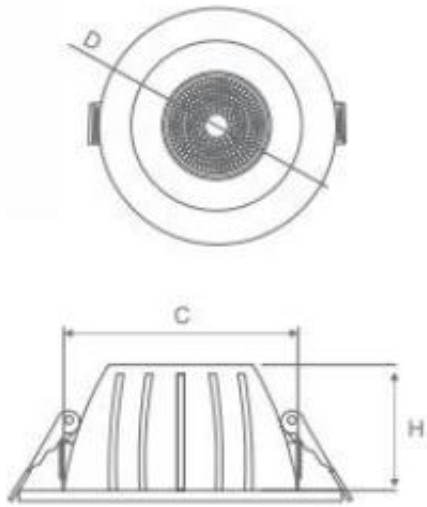


UGR Table

ceiling/cavity	0.7	0.7	0.5	0.5	0.3	0.7	0.7	0.5	0.5	0.3
walls	0.5	0.3	0.5	0.3	0.3	0.5	0.3	0.5	0.3	0.3
working plane	0.2	0.2	0.2	0.2	0.2	0.2	0.2	0.2	0.2	0.2
Room dimensions	Viewed crosswise					Viewed endwise				
x = 2H y = 2H	9.7	10.7	9.9	10.8	11.0	9.3	10.2	9.5	10.4	10.6
3H	9.7	10.5	9.9	10.7	10.9	9.2	10.1	9.4	10.3	10.5
4H	9.6	10.4	9.8	10.6	10.9	9.1	9.9	9.4	10.2	10.4
6H	9.5	10.3	9.8	10.5	10.8	9.0	9.8	9.3	10.0	10.3
8H	9.4	10.2	9.7	10.4	10.7	9.0	9.7	9.3	10.0	10.2
12H	9.4	10.1	9.7	10.4	10.7	8.9	9.6	9.2	9.9	10.2
4H 2H	9.6	10.5	9.9	10.7	10.9	9.2	10.1	9.5	10.3	10.5
3H	9.6	10.3	9.9	10.6	10.9	9.1	9.9	9.5	10.1	10.4
4H	9.5	10.2	9.8	10.5	10.8	9.0	9.7	9.4	10.0	10.3
6H	9.4	10.0	9.8	10.3	10.7	9.0	9.5	9.3	9.9	10.2
8H	9.3	9.9	9.7	10.2	10.6	8.9	9.4	9.3	9.8	10.2
12H	9.3	9.8	9.7	10.2	10.5	8.9	9.3	9.3	9.7	10.1
8H 4H	9.3	9.9	9.7	10.2	10.6	8.9	9.4	9.3	9.8	10.2
6H	9.2	9.7	9.7	10.1	10.5	8.8	9.2	9.2	9.6	10.1
8H	9.2	9.6	9.6	10.0	10.4	8.8	9.1	9.2	9.6	10.0
12H	9.1	9.5	9.6	9.9	10.4	8.7	9.0	9.2	9.5	9.9
12H 4H	9.3	9.8	9.7	10.2	10.6	8.9	9.3	9.3	9.7	10.1
6H	9.2	9.6	9.6	10.0	10.4	8.8	9.1	9.2	9.6	10.0
8H	9.1	9.5	9.6	9.9	10.4	8.7	9.0	9.2	9.5	9.9
Variations with the observer position at spacings (CIE Pub.117):										
S = 1.0H	+ 1.5 / - 2.6					+ 1.6 / - 2.9				
1.5H	+ 1.7 / - 1.6					+ 1.6 / - 1.7				
2.0H	+ 2.9 / - 4.2					+ 2.9 / - 4.4				

Product Dimensions D x H), Cutout Size

Ø 145 X 65mm (Tol. ± 5 mm), Ø115mm



Applications

Residences, Offices, Small Retail Shops, Hotels, Coffee Shops, Restaurants, Hospitals, area lighting and for other indoor applications.