

ZOOM LIGHT 25W

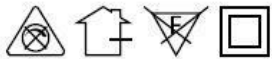
ZOOM LIGHT

Indoor Luminaire

Product Code:

LZOM01R025XC / LZOM01R025XN / LZOM01R025XW

25W - 2125lm - 6500K - CRI>90 - Beam Angle 40°



Technical Specifications

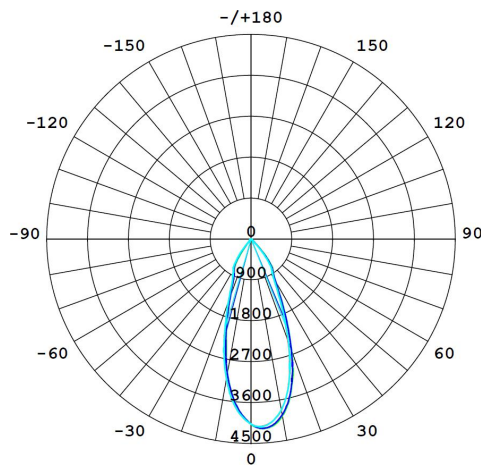
Operating Temperature	-10°C to 40°C
Rated Input Voltage & Frequency	230 VAC, 50Hz
Rated Input Wattage	25W ± 10%
Rated Input Current	0.120 Amp (Nominal)
Power Factor	≥0.90
THD	<10%
Rated Luminous Flux	2125 lm / 2000 lm / 1875 lm (tolerance as per BIS)
Rated Luminaire Efficacy	85 lm/W / 80 lm/W / 75 lm/W (tolerance as per BIS)
Correlated Color Temperature (CCT)	6500 K / 4000 K / 3000 K (tolerance as per ANSI)
Color Rendering Index (CRI)	>90
Beam Angle	40°
Driver Efficiency	≥85%
LED Life Span	>50000 Hrs (Ta=25°C @L70)
Housing	Die Cast Aluminium with White Powder Coating
Lens / Reflector	Anodized Reflector with PC Diffuser
Mounting	Recessed

Protections

Over Voltage Protection	Withstand upto 360V/AC for 4 Hrs.
Surge Protection	±2.5KV
Protection Class	Class II
Ingress Protection (IP Rating)	IP20
Impact Protection (IK Rating)	IK02
Short Circuit Protection	Provided
Open Circuit Protection (No Load)	Provided
Reverse Polarity Protection	Provided

All technical data is subject to industry-standard tolerances.

Light Distribution

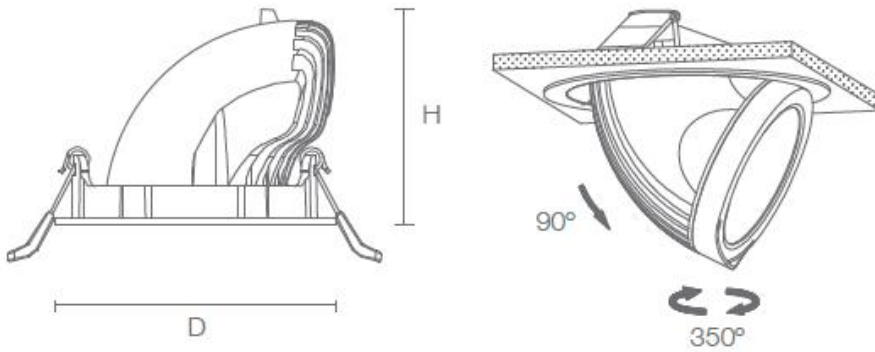


UGR Table

ceiling/cavity	0.7	0.7	0.5	0.5	0.3	0.7	0.7	0.5	0.5	0.3
walls	0.5	0.3	0.5	0.3	0.3	0.5	0.3	0.5	0.3	0.3
working plane	0.2	0.2	0.2	0.2	0.2	0.2	0.2	0.2	0.2	0.2
Room dimensions	Viewed crosswise					Viewed endwise				
x = 2H y = 2H	9.5	10.3	9.7	10.5	10.7	8.9	9.8	9.1	10.0	10.1
3H	9.3	10.1	9.6	10.3	10.5	8.8	9.6	9.0	9.8	10.0
4H	9.2	10.0	9.5	10.2	10.4	8.7	9.5	9.0	9.7	9.9
6H	9.2	9.9	9.5	10.1	10.4	8.6	9.3	8.9	9.6	9.8
8H	9.1	9.8	9.4	10.1	10.3	8.6	9.3	8.9	9.5	9.8
12H	9.1	9.7	9.4	10.0	10.3	8.5	9.2	8.8	9.4	9.7
4H 2H	9.2	10.0	9.5	10.2	10.4	8.7	9.5	9.0	9.7	9.9
3H	9.1	9.8	9.4	10.0	10.3	8.6	9.2	8.9	9.5	9.8
4H	9.0	9.6	9.4	9.9	10.2	8.5	9.1	8.8	9.4	9.7
6H	8.9	9.4	9.3	9.8	10.1	8.4	8.9	8.7	9.2	9.6
8H	8.9	9.4	9.3	9.7	10.1	8.3	8.8	8.7	9.2	9.5
12H	8.8	9.3	9.2	9.6	10.0	8.3	8.7	8.7	9.1	9.5
8H 4H	8.9	9.4	9.3	9.7	10.1	8.3	8.8	8.7	9.2	9.5
6H	8.8	9.2	9.2	9.6	10.0	8.2	8.6	8.6	9.0	9.4
8H	8.7	9.1	9.2	9.5	9.9	8.2	8.5	8.6	8.9	9.4
12H	8.7	9.0	9.1	9.4	9.9	8.1	8.4	8.6	8.9	9.3
12H 4H	8.8	9.3	9.2	9.6	10.0	8.3	8.7	8.7	9.1	9.5
6H	8.7	9.1	9.2	9.5	9.9	8.2	8.5	8.6	8.9	9.4
8H	8.7	9.0	9.1	9.4	9.9	8.1	8.4	8.6	8.9	9.3
Variations with the observer position at spacings (CIE Pub.117):										
S = 1.0H	+ 2.7 / -11.2					+ 2.7 / -11.1				
1.5H	+ 5.3 / - 9.6					+ 5.3 / - 9.2				
2.0H	+ 6.0 / - 3.0					+ 2.7 / - 2.3				

Product Dimensions (Dia. x H), Cutout (Dia.)

Ø148 X 121mm, Cutout Ø140mm



Applications

Residences, Offices, Small Retail Shops, Hotels, Coffee Shops, Restaurants, Hospitals, area lighting and for other indoor applications.