

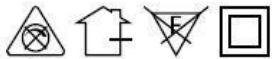
**STRELLA ROUND 5W**

STRELLA ROUND DOWNLIGHT

Indoor Luminaire

Product Code:

LSTA4KVR05XC / LSTA4KVR05XN / LSTA4KVR05XW  
5W - 425lm - 6500K - CRI>80 - Beam Angle 102°



**Technical Specifications**

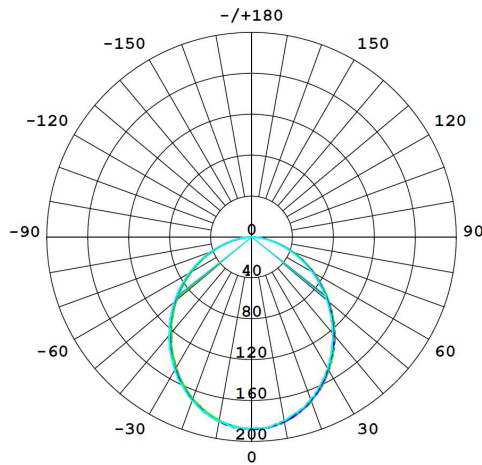
Operating Temperature	-10°C to 40°C
Rated Input Voltage & Frequency	230 VAC, 50Hz
Rated Input Wattage	5W ± 10%
Rated Input Current	0.024 Amp (Nominal)
Power Factor	≥0.90
THD	<20%
Rated Luminous Flux	425 lm / 400 lm / 375 lm (tolerance as per BIS)
Rated Luminaire Efficacy	85 lm/W / 80 lm/W / 75 lm/W (tolerance as per BIS)
Correlated Color Temperature (CCT)	6500 K / 4000 K / 3000 K (tolerance as per ANSI)
Color Rendering Index (CRI)	>80
Beam Angle	102°
Driver Efficiency	≥80%
LED Life Span	>50000 Hrs (Ta=25°C @L70)
Housing	PC. housing
Lens / Reflector	PC. Diffuser
Mounting	Recess

**Protections**

Over Voltage Protection	Withstand upto 440V/AC for 4 Hrs.
Surge Protection	±4.0KV
Protection Class	Class II
Ingress Protection (IP Rating)	IP20
Impact Protection (IK Rating)	IK02
Short Circuit Protection	Provided
Open Circuit Protection (No Load)	Provided
Reverse Polarity Protection	Provided

All technical data is subject to industry-standard tolerances.

# Light Distribution

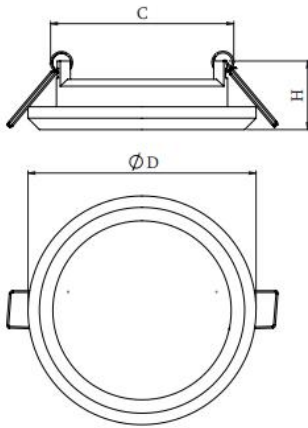


## UGR Table

ceiling/cavity	0.7	0.7	0.5	0.5	0.3	0.7	0.7	0.5	0.5	0.3
walls	0.5	0.3	0.5	0.3	0.3	0.5	0.3	0.5	0.3	0.3
working plane	0.2	0.2	0.2	0.2	0.2	0.2	0.2	0.2	0.2	0.2
Room dimensions	Viewed crosswise					Viewed endwise				
x = 2H y = 2H	16.7	18.2	17.0	18.4	18.6	16.5	18.0	16.8	18.2	18.4
3H	18.1	19.5	18.4	19.7	20.0	17.9	19.3	18.2	19.5	19.7
4H	18.7	20.0	19.0	20.3	20.5	18.4	19.7	18.7	19.9	20.2
6H	19.1	20.4	19.5	20.6	20.9	18.7	19.9	19.0	20.2	20.5
8H	19.3	20.4	19.6	20.7	21.0	18.8	20.0	19.1	20.3	20.6
12H	19.3	20.5	19.7	20.8	21.1	18.8	20.0	19.2	20.3	20.6
4H 2H	17.3	18.6	17.6	18.8	19.1	17.1	18.4	17.4	18.7	18.9
3H	18.9	20.0	19.2	20.3	20.6	18.7	19.8	19.0	20.1	20.4
4H	19.6	20.6	19.9	20.9	21.3	19.3	20.3	19.7	20.6	21.0
6H	20.1	21.0	20.5	21.4	21.7	19.7	20.7	20.1	21.0	21.4
8H	20.3	21.1	20.7	21.5	21.9	19.9	20.7	20.3	21.1	21.5
12H	20.4	21.2	20.8	21.6	22.0	19.9	20.7	20.3	21.1	21.5
8H 4H	19.8	20.7	20.2	21.0	21.4	19.5	20.4	20.0	20.8	21.2
6H	20.5	21.2	20.9	21.6	22.0	20.1	20.8	20.6	21.2	21.7
8H	20.7	21.4	21.2	21.8	22.2	20.3	21.0	20.8	21.4	21.8
12H	20.9	21.5	21.4	21.9	22.4	20.4	21.0	20.9	21.4	21.9
12H 4H	19.8	20.6	20.2	21.0	21.4	19.5	20.3	20.0	20.7	21.1
6H	20.5	21.1	21.0	21.6	22.0	20.2	20.8	20.6	21.2	21.7
8H	20.8	21.3	21.3	21.8	22.3	20.4	21.0	20.9	21.4	21.9
Variations with the observer position at spacings (CIE Pub.117):										
S = 1.0H	+ 0.2 / - 0.2					+ 0.2 / - 0.2				
1.5H	+ 0.2 / - 0.3					+ 0.2 / - 0.3				
2.0H	+ 0.2 / - 0.3					+ 0.2 / - 0.3				

## Product Dimensions (L x W x H)

Ø80 x 35mm (Tol. ± 5 mm), Cutout Size Ø70mm



## Applications

Residences, Offices, Small Retail Shops, Hotels, Coffee Shops, Restaurants, Hospitals, area lighting and for other indoor applications.